



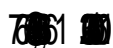
SWIFT INDUSTRIAL CORPORATION

LEVELING CASTORS CATALOGUE



HEAD OFFICE:

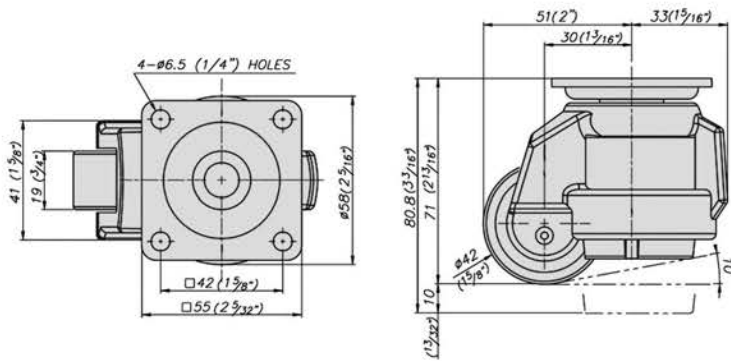
BRANCH:



SHOP NO. 2, PLOT NO. T-165/1/5, PRIYADARSHANI SOC., NEXT TO GUJJAR (BHARAT GAS) AGENCY, T-BLOCK, MIDC, BHOSARI, PUNE-26

TEL NO: 020-27121290 EMAIL: pcmc@swiftindustrial.in

JDF-40F



PRODUCT DESCRIPTION

- ① top plate : Pressed steel plate
- ② frame : Al die-casting frame
- ③ handle : ABS resin handle
- ④ leveling pad : NBR resin cushion
- ⑤ wheel : PC+GF resin wheel
- ⑥ finish : powder coated&zinc galvanized

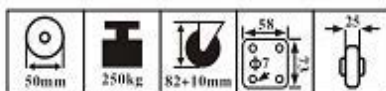
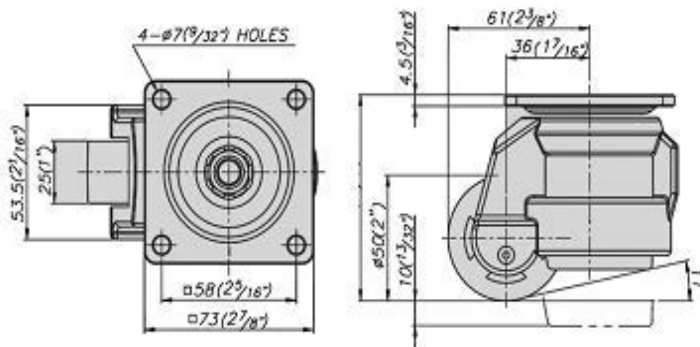
SELECT ITEMS

Variety of cushion available
Black finish is available

SPEC (°C/mm/kg)

Wheel Diameter	42 mm
Width of Tread	20 mm
Hardness of Tread	70S hore D
Size of Plate	55 x 55 mm
Plate Hole Centers	42 x 42 mm
Plate Hole	6.5 mm
Leveling Extent	10 mm
Offset	30 mm
Overall Height	71 mm
Load Capacity / 1pcs	50 kg
Load Capacity / 4pcs	100 kg

JDF-60F



PRODUCT DESCRIPTION

- ① top plate : pressed steel plate
- ② frame : al diecasted
- ③ handle : ABS resin handle
- ④ leveling pad : NBR resin cushion
- ⑤ wheel : nylon6
- ⑥ finish : powder coated&zinc galvanized

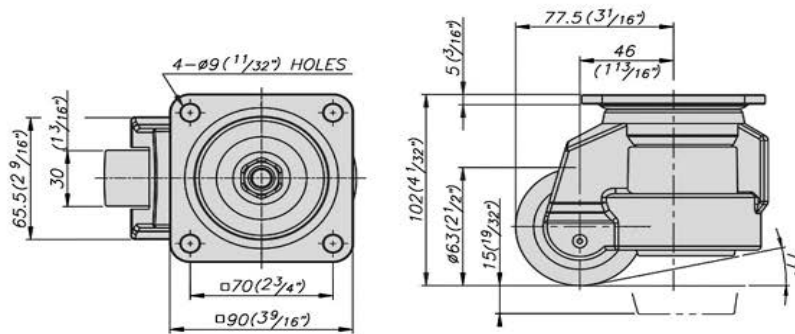
SELECT ITEMS

- ▶ Variety of cushion available
- ▶ Antistatic polyurethane wheels
- ▶ Black finish is available

SPEC (°C/mm/kg)

Wheel Diameter	50 mm
Width of Tread	25 mm
Hardness of Tread	70 S hore D
Size of Plate	73 x 73 mm
Plate Hole Centers	58 x 58 mm
Plate Hole	7 or 8.5 mm
Leveling Extent	10 mm
Offset	36 mm
Overall Height	82 mm
Load Capacity / 1pcs	250 kg
Load Capacity / 4pcs	500 kg

JDF-80F



PRODUCT DESCRIPTION

- ① top plate : Pressed steel plate
- ② frame : Al die-casting
- ③ handle : ABS resin handle
- ④ leveling pad : NBR resin cushion
- ⑤ wheel : nylon6
- ⑥ finish : powder coated&zinc galvanized

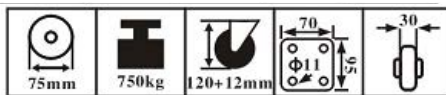
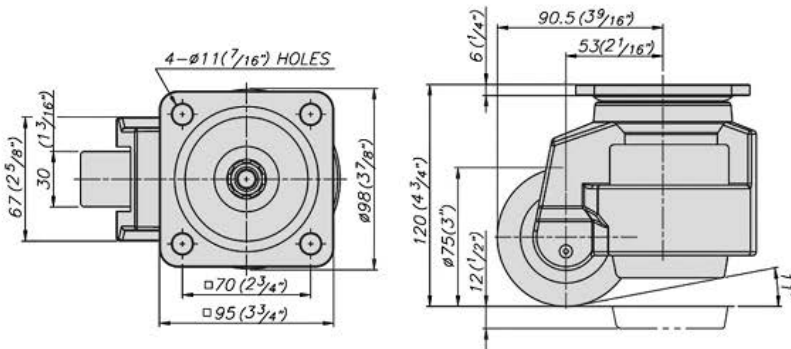
SELECT ITEMS

Variety of cushion available
 Black finish is available
 Antistatic polyurethane wheels

SPEC (°C/mm/kg)

Wheel Diameter	63 mm
Width of Tread	30 mm
Hardness of Tread	70S hore D
Size of Plate	90 × 90 mm
Plate Hole Centers	70 × 70 mm
Plate Hole	9 mm
Leveling Extent	15 mm
Offset	46 mm
Overall Height	103 mm
Load Capacity / 1pcs	500 kg
Load Capacity / 4pcs	1000 kg

JDF-100F



PRODUCT DESCRIPTION

- ① top plate : Pressed steel plate
- ② frame : Al die-casting
- ③ handle : ABS resin handle
- ④ leveling pad : NBR resin cushion
- ⑤ wheel : nylon6
- ⑥ finish : powder coated&zinc galvanized

SELECT ITEMS

Variety of cushion available
 Black finish is available
 Antistatic polyurethane wheels

SPEC (°C/mm/kg)

Wheel Diameter	75 mm
Width of Tread	30 mm
Hardness of Tread	70S hore D
Size of Plate	95 × 95 mm
Plate Hole Centers	70 × 70 mm
Plate Hole	11 mm
Leveling Extent	12 mm
Offset	53 mm
Overall Height	120 mm
Load Capacity / 1pcs	750 kg
Load Capacity / 4pcs	1500 kg

JDF-150F



PRODUCT DESCRIPTION

- ① top plate : Pressed steel plate
- ② frame : Al die-casting frame
- ③ handle : carbon steel
- ④ leveling pad : Al die-casting frame
- ⑤ wheel : MC nylon
- ⑥ finish : powder coated&zinc galvanized

SELECT ITEMS

Black finish is available

SPEC (°C/mm/kg)

Wheel Diameter	96 mm
Width of Tread	56 mm
Hardness of Tread	70S shore D
Size of Plate	100 × 100 mm
Plate Hole Centers	70 × 70 mm
Plate Hole	13 mm
Leveling Extent	15 mm
Offset	69 mm
Overall Height	132 mm
Load Capacity / 1 pcs	1500 kg
Load Capacity / 4 pcs	3000 kg

