



RS AUTOMATION

Yash Sankul Co-Op Hsg Soc, Bldg A8 Flat no:2, Pimple Saudagar, Pune-411027

Mob :9850957065 Ph : 9850957520

Email: rsautomationcnc@gmail.com

I AXIS Drop I UPS I Transformer I Power Factor I Control Panels I

Axis drop problem in CNC machines :

The introduction of Computer numerical control (CNC) machines radically changed the manufacturing industry because of its key advantages like high accuracy and faster production. In one sense, CNC machines may be said to represent special industrial robot systems, as they are programmable to perform any kind of machining operation.

Most of the manufacturing industries face problems in position control of the vertical axis during machining on CNC machines, in the event of an unprecedented power failure. The axis slips downwards due to inertia and gravitational force acting on vertical axis of CNC machines.

In case of die and mould applications, where the accuracy of jobs are comparatively very high, the damages caused due to this problem are very expensive when the material being machined is titanium or other costly materials. In order to avoid this problem it is necessary to stop the axis run away immediately, by applying the electromechanical brake connected to the axis servomotor or ball screw rod in advance so as to apply the axis brake in advance and protect the axis run away.

Function of Axis drop preventer in CNC machine.

The unit senses the three phase input voltage of the CNC machine and in the event of power failure, the voltage to the brake is cut-off in advance thereby preventing the vertical axis of the CNC machine from over travel.

Input Supply – AC	Three Phase 4 Wire R Y B E 415 V
Frequency	50 Hz
Input Supply – DC	24 Volts for operating
Input DC Current	100 mA max
Brake Contact Rating	100 V DC – 7.5 A max
Additional Contact Rating	100 V DC – 2.5 A max
Cut Off Voltage range	235 V AC to 380 V AC
Weight	3 Kgs.
Mounting	Panel mounting
Cooling	Natural
Dimension (mm)	196 (L) X 60 (H) X 203 (D)



RS AUTOMATION

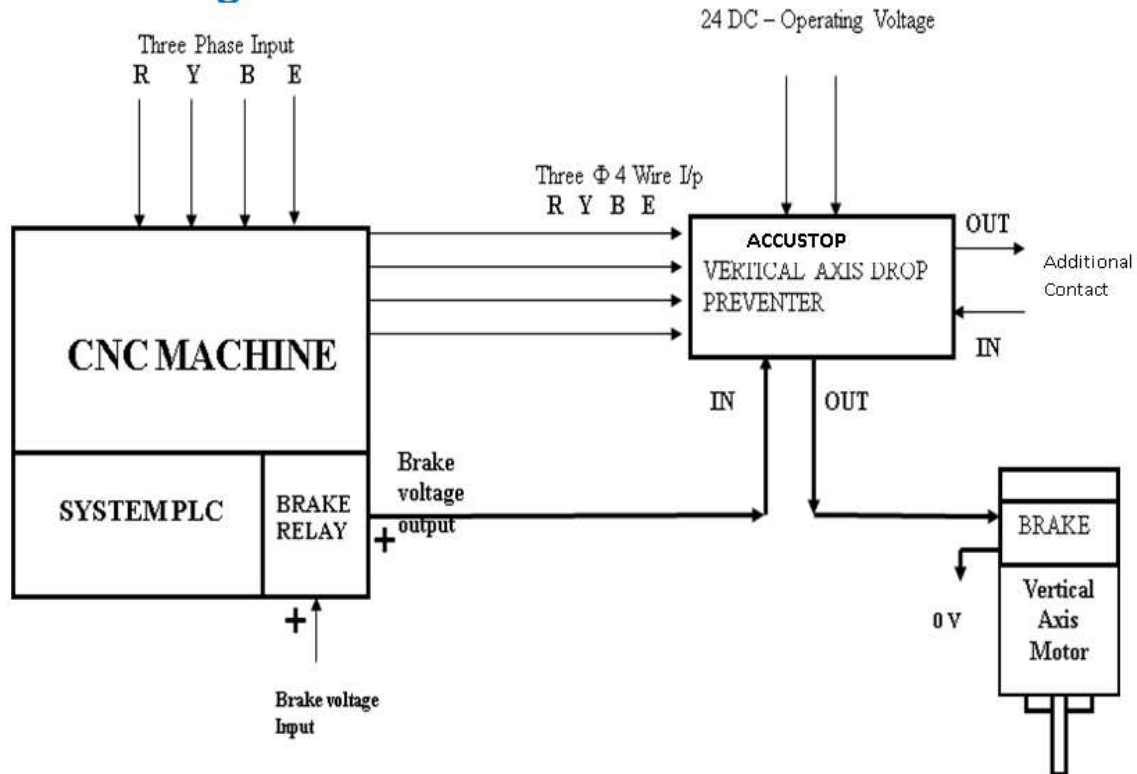
Yash Sankul Co-Op Hsg Soc, Bldg A8 Flat no:2, Pimple Saudagar, Pune-411027

Mob :9850957065 Ph : 9850957520

Email: rsautomationcnc@gmail.com

I AXIS Drop I UPS I Transformer I Power Factor I Control Panels I

Block Diagram



Kindly send all your Enquiries on :

RS AUTOMATION
YASH SANKUL CO-OP HSG SCOC,
BLDG A-8, FLAT NO: 2, PIMPLE SAUDAGAR
AUNDH ANNEXE, PUNE-411027
Mob: 9850957065
Email: rsautomationcnc@gmail.com