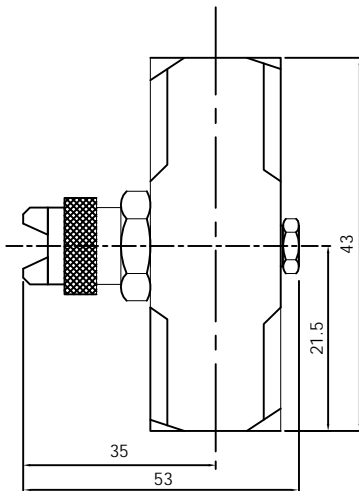


## G.A. DRAWING :



## TECHNICAL DATA :

Basic Model	: USN
Lubricant	: Any Oil or Grease upto NLGI - 0.
Air Inlet	: 1/4" BSP female
Lub Inlet	: 1/4" BSP female
Mounting	: Wall mounting with adapter OR on air manifold with special bolt
Accessories	: Cleaning needle assembly.

MODEL	AIR FLOW (at 2-4 bar)	LUBRICANT FLOW (at 2 - 4 bar)	SPRAY DIMENSION (at 200mm distance)	SPRAY PATTERN
USN - 18B	79 l/min	11 l/hr.	180mm x 50mm	Elliptical
USN - 25	255 l/min	36 l/hr.	160mm x 50mm	Elliptical
USN - J4	111 l/min	26 l/hr.	110mm dia.	Circular

For atomised spray of liquid, these spray nozzles are used. Liquid (lubricant) is pressure fed & is mixed with compressed air to produce a completely atomised spray.

Automisation can be controlled by varying the air pressure without changing liquid flow rates in case of External Mix Nozzles. External mix is effective for higher viscosity liquids and with abrasive suspension.

Lubricant as well as air can be monitored independently to ensure adequate spray.

Multiline pumps or Pneumatically operated barrel pumps with progressive distributors are used with Spray nozzles to form fully automatic spray lubrication system for lubrication of large open gears of Kiln and Ball mill drives.

Simple design and cost effectiveness are major attributes which offers easy and economical operation & maintenance of spray system.

LUBCON ENGINEERS

Survey No. 23, Hissa NO. 2, Anand  
Vihar Colony, Hingane Khurd Off,  
Sinhagad Road, pune 411 051.

**LUBCON**