

TECHNICAL DATA :

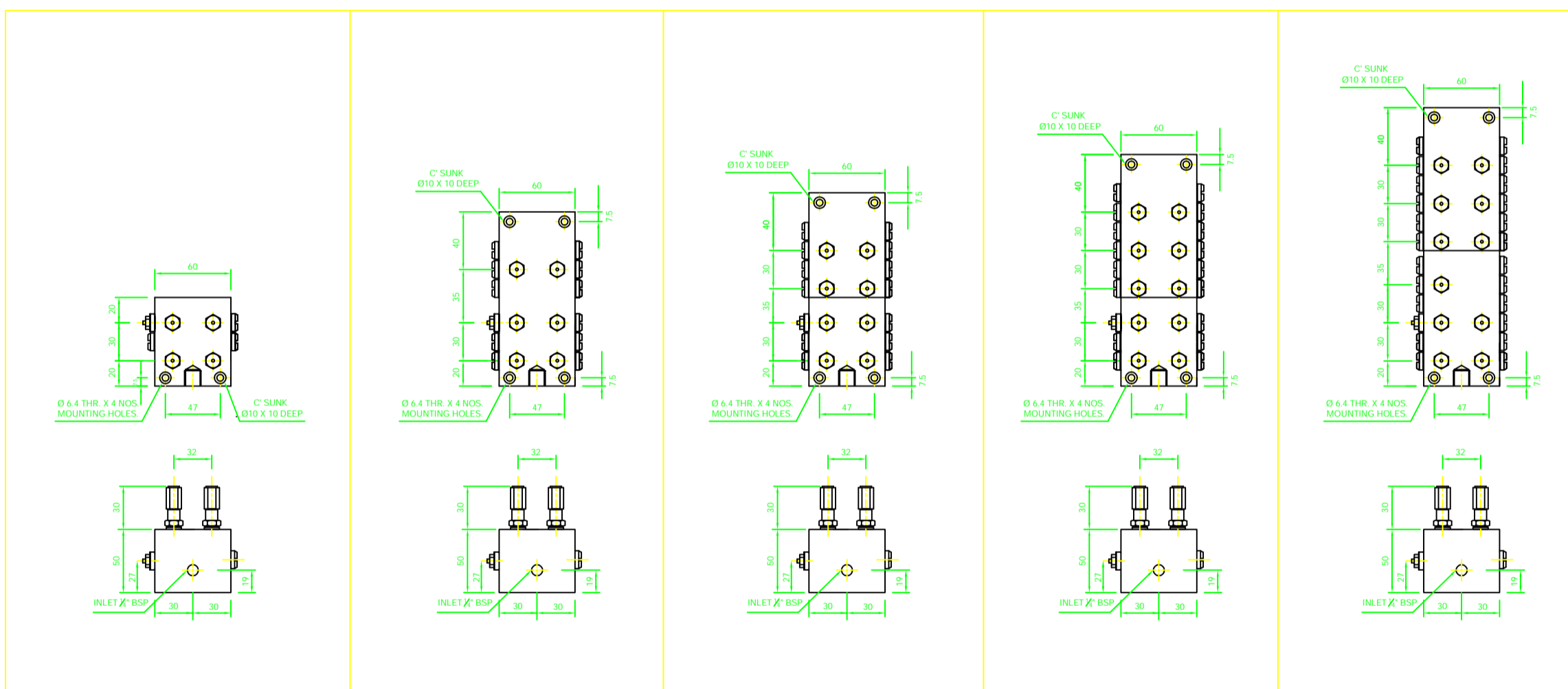
LUBCON

LUBCON ENGINEERS

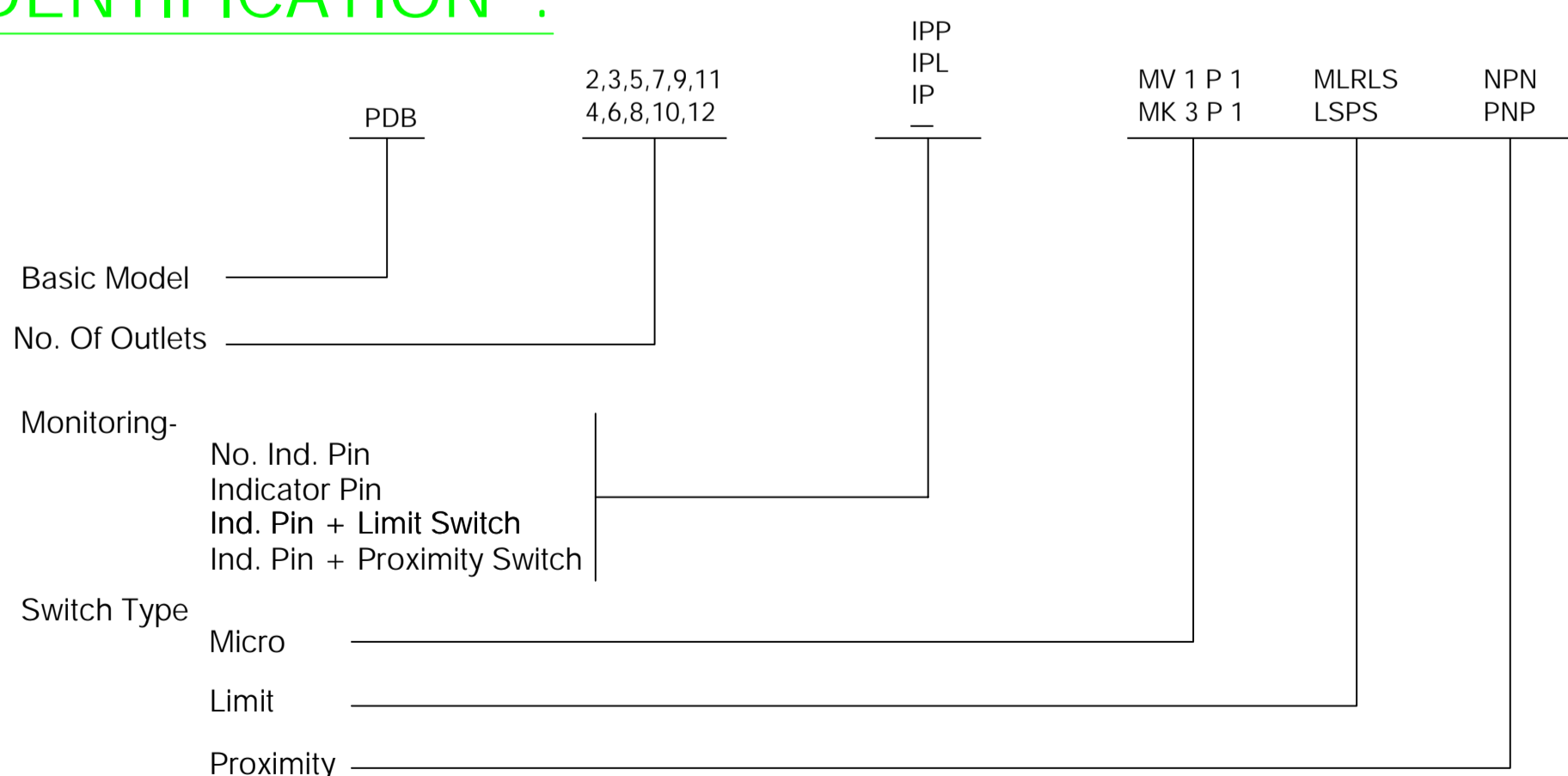
Survey No. 23 , Hissa NO. 2 , Anand Vihar Colony , Hingane Khurd Off Sinhagad Road pune 411 051.

STANDARD MODELS	: PDB-4,6,8,10 & 12 OUTLET TYPE
LUBRICANT OUTPUT	: 0.4 CC/OUTLET/CYCLE
MIN. OPERATING PRESSURE	: 20 BAR
MAX. DIFFERENTIAL PRESSURE BETWEEN TWO OUTLETS	: 100 BAR
INLET CONNECTION	: 1/4" BSP FEMALE
OUTLET CONNECTION	: COMPRESSION TYPE , SUITABLE FOR 6/8/10mm OD TUBE WITH INBUILT CHECK VALVE
MOUNTING (2 & 4 OUTLET MODEL)	: 2 HOLES OF 6.4 DIA. AT TOP
MOUNTING (6 & 12 OUTLET MODEL)	: 4 HOLES OF 6.4 DIA. AT BOTTOM.
SPECIAL MODELS	: 2,3,5,7,9 & 11 OUTLET TYPE.
MONITORING	: VISUAL WITH INDICATOR PIN OR ELECTRICAL WITH LIMIT / PROXIMITY SWITCH ATTACHED .
MAX. FLOW RATE (OIL)	: 250 CC/OUTLET/MIN.
MAX. OPERATING PRESSURE	: 300 BAR

G.A. DRAWING :



MODEL IDENTIFICATION :



PDB

e.g. Progressive Distributor 8 Outlet type having Indicator Pin with Limit Switch attached = PDB-8 -IPL-LSPS.

**** IMPORTANT : OUTLET ONCE CLOSED,CANNOT BE RETRIEVED.**