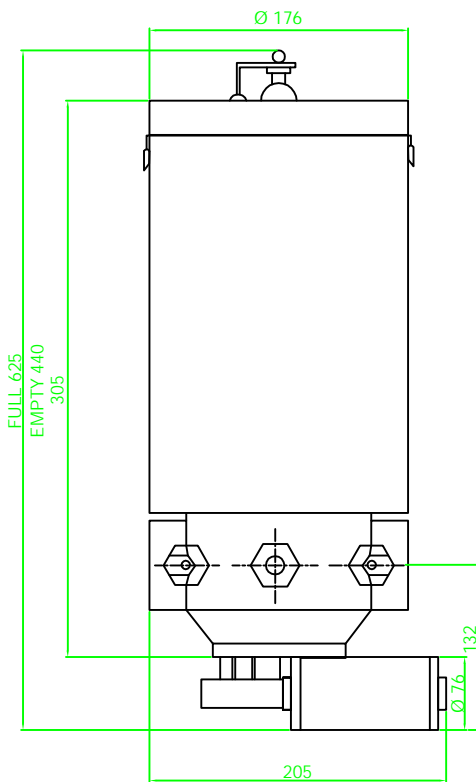


SPECIFICATIONS TECHNICAL DATA

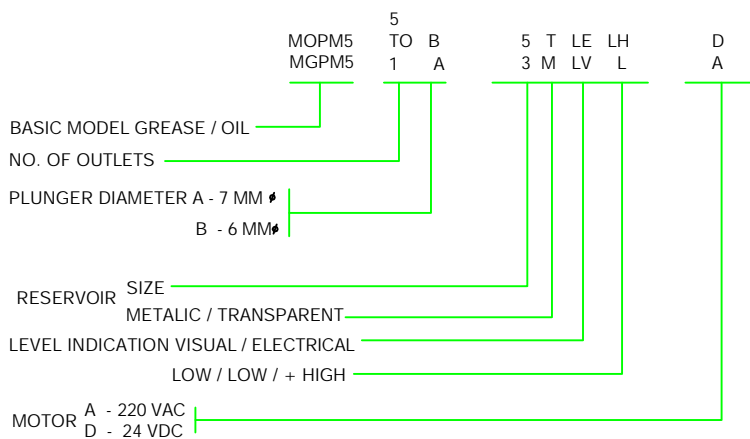
PUMP MODEL : MGPM 5
 NO. OF OUT LETS : 1 TO 5 (TO SPECIFY)
 MAX OUTPUT : 240 CC/ HR. WITH 7 MM ϕ ELEMENTS / OUTLET
 (FIXED) : 170 CC/ HR. WITH 6 MM ϕ ELEMENTS / OUTLET
 DELY. PRESSURE : 250 BAR MAX.
 OUTLET CONNECTION : 1/4" BSP (F)
 RESERVOIR : METALLIC 3/5 LITRE WITH
 VISUAL INDICATOR / LEVEL SWITCH
 DRIVE : MOTORISE WITH WORM GEAR
 REDUCTION ASSEMBLY
 MOTOR : 100 W , GEARED MOTOR 220 VAC OR 24 VDC.

OPERATING TEMP. : -30°C TO + 80°C
 LUBRICANT : ANY OIL AND GREASE UPTO NLGI-3
 MOUNTING : 4 NOS OF 10 ϕ BOLTS (WALL).

MULTILINE OR MULTIOUTLET PUMPS ARE GENERALLY USED FOR PUMP TO POINT
 DIRECT LUBRICATION AS PER OUTPUT REQUIREMENT .
 THIS PUMP CAN BE USED IN CONJUNCTION WITH PROGRESSIVE DISTRIBUTORS FOR
 COVERING MORE NO. OF LUBRICATION POINTS. IN SUCH CASE TOTAL OUT PUT REQUIRED
 BY ALL BEARINGS CENTRALISED TO BE EQUAL OR LESSER THAN TOTAL OUTPUT FROM NO.
 OF PUMP ELEMENTS (OUTLETS) TAKEN FROM PUMP.



MODEL IDENTIFICATION :



E.G. MOTORISED GREASE PUMP WITH 2 OUTLETS , WITH 6 ϕ MM PUMP ELEMENT , 5 LTR.
 METALIC RESERVOIR WITH LOW LEVEL SWITCH & 24 VDC MOTOR = MGPM5 -2B - 5 MLEL- D.

LUBCON

LUBCON ENGINEERS
 Survey No. 23 , Hissa NO. 2 , Anand
 Vihar Colony , Hingane Khurd Off
 Sinhagad Road pune 411 051.

**TECHNICAL DATA SHEET OF
 LUBRICATION PUMP
 MODEL - MGPM-5**

DESIGNC(E:\)8TECHNICAL DATA SHEET/MGPM-5