

TECHNICAL DATA

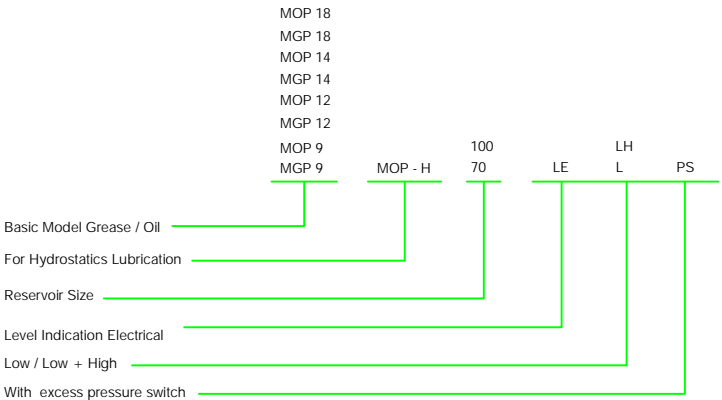
Pump Model	: MGP - 9 , MGP 12 ,MGP 14, MGP - 18 .
No. of outlets	: One
Max. output (fixed)	: 9000cc/hr. OR / 1200 cc/hr. OR 1400 cc/hr , 18000 cc / hr. (Other outputs available on request)
Dely. pressure	: 400bar max.
Outlet connection	: 1/2" BSP(F)
Reservoir	: Metallic 70/100 ltrs.with low level switch.
Drive	: Motorised with helical gear reduction box with 84rpm for 9000cc & 12000 cc output, with 125rpm for 14000cc & 18000cc output.
Motor	: 0.5HP /0.75HP/1.0HP 3 Phase, 440 VAC , 50Hz,1400 rpm,B5 Flange mounting. B class insulation, IP54 , KEC make.
Operating temp.	: -30° to +80°
Lubricant	: Any oil and grease upto NLGI-3
Mounting	: 4 nos. M12 bolts.

The MGP 18 motorised grease pump is of high pressure , high volume type. It is used as central lubrication pump for Oil or Grease lubrication with single line progressive as well as two line systems . where no. of lubrication points are very large in quantity . (@ 1000) . It can be trolley mounted for manual lubrication also.

A special model of this pump MOP-H is also used for hydrostatic lubrication. Pump is equipped with inbuilt delivery filter , pressure gauge & safety valve.

Additional 2 ports are provided , one with refilling connection with strainer & other for return line connection which is normally required in case of Two line system.

MODEL IDENTIFICATION :



E.G. Motorised Grease Pump MGP 12 With 12000cc/hr (200cc/min) output with filter , Pressure Gauge & Safety valve , 70 ltrs. reservoir with low level switch MGP 12 - 70 - LEL.