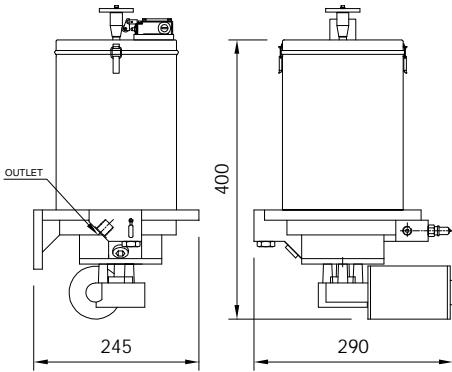


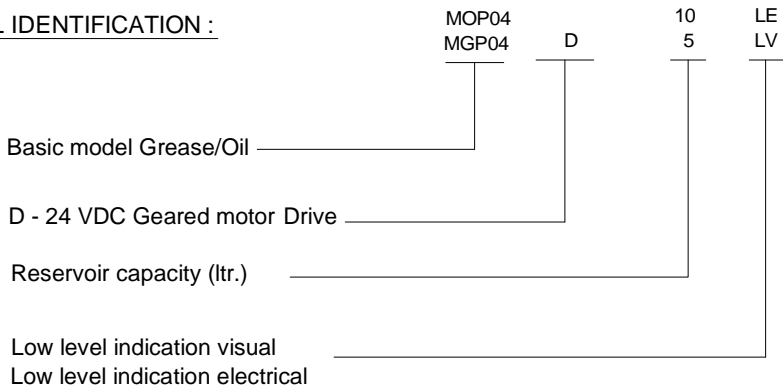
G.A. DRAWING



- Pump Model : MGP-4 D
- No. of outlets : One
- Max. output (fixed) : 4000cc/hr.
- Dely. pressure : 350bar max.
- Outlet connection : 3/8" BSP(F)
- Reservoir : Metallic 5/10ltrs with level switch.
- Drive : 24 VDC,80 W geared motor
- Operating temp. : -30° to +80° c
- Lubricant : Any oil and grease upto NLGI-II
- Mounting : 3nos. M10 bolts

This pump is used as a central lubrication pump for oil or grease lubrication, specially for mobil applications using equipment battery with single line series (progressive) , Single line parallel (injector) as well as two line system. The pump is equipped with inbuilt delivery filter,safety valve & pr. gauge. Additional two ports are provided, one with refilling connection with strainer and other for return line connection which is normally required in case of two line & injector system.

MODEL IDENTIFICATION :



e.g. Motorised grease pump with 5 ltr. reservoir, with low level switch.

MGP04-D-5-LE