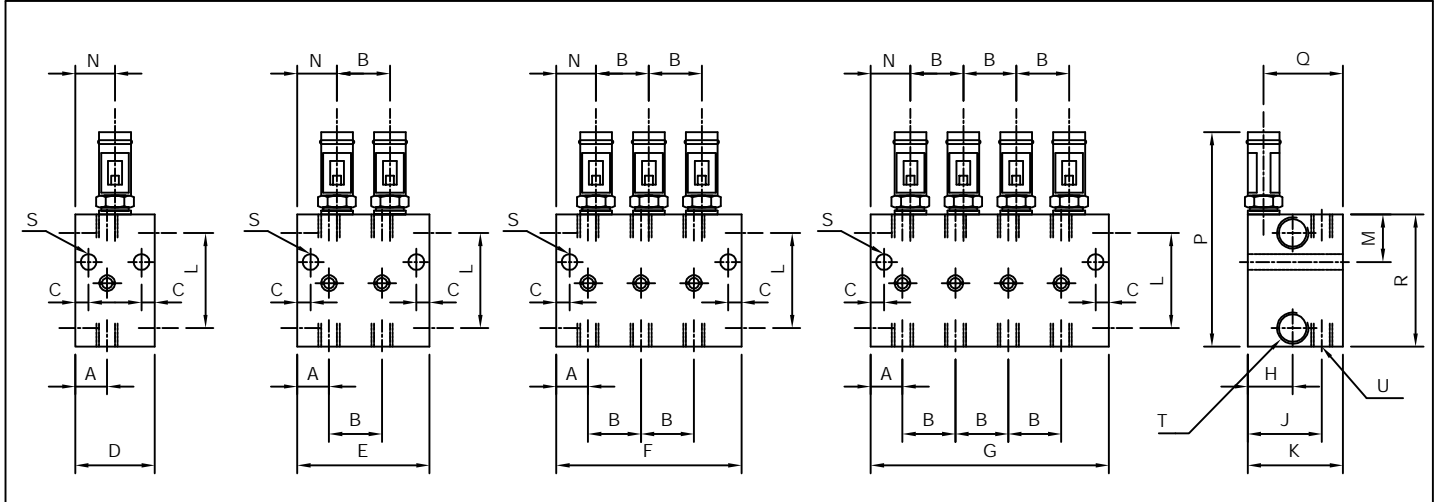


TECHNICAL DATA

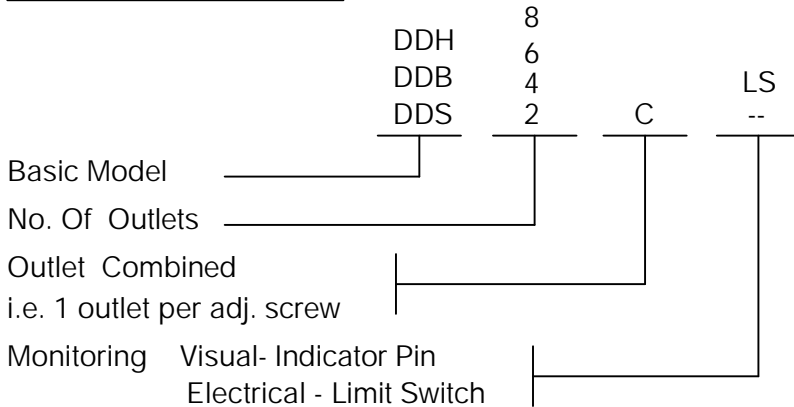
Dose Feeder Models : DDS / DDB / DDH
 No Of Outlet : 2, 4, 6 & 8
 Min. Operating Pressure : 40 bar
 Max. Operating Pressure : 400 bar

G.A. DRAWING :



MODEL	O/P PER OUTLET CYCLE	DIMENSIONS (mm)																MAIN LINE T	FEED LINE U	
		A	B	C	D	E	F	G	H	J	K	L	M	N	P	Q	R			S
DDS	0.6cc.	14	14	6	29	43	51	71	20	31	38	38	27	14	80	30	54	6.3	1/8"BSP	1/8"BSP
DDB	2.3cc.	18.5	31.8	7	44.5	76	108	140	27	42.5	54	57	27	22.5	122	43.5	80	9	3/8"BSP	1/4"BSP
DDH	5.0cc.	18.5	31.8	7	44.5	76	108	140	27	42.5	54	57	27	22.5	140	43.5	80	9	3/8"BSP	1/4"BSP

MODEL IDENTIFICATION



** Standard model are with 2 outlets per adjusting screw.

C means special model with 1 outlet per adjusting screw (Double outlet / outlet)

e.g. Two line Dose feeder with 0 - 2.3 cc / outlet / cycle output, 4 outlet type with 2 outlets per adjusting screw and Indicator pins = DDB-4