

VI SERIES

VI batteries are design for deep discharge application, with expanded grid and special chemical formula for plate's active paste material slightly stronger electrolyte and low temperature design.

Application

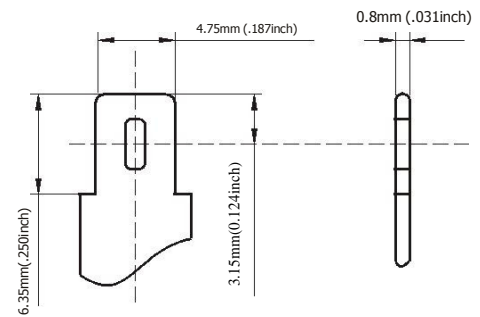
- CFL Inverters
- Powered Tools
- Electric Powered Vehicles
- Wheel Chairs
- Solar Lanterns
- Electric Powered Toys
- Control System
- Vacuum Cleaners
- Medical Equipments
- UPS

General Features

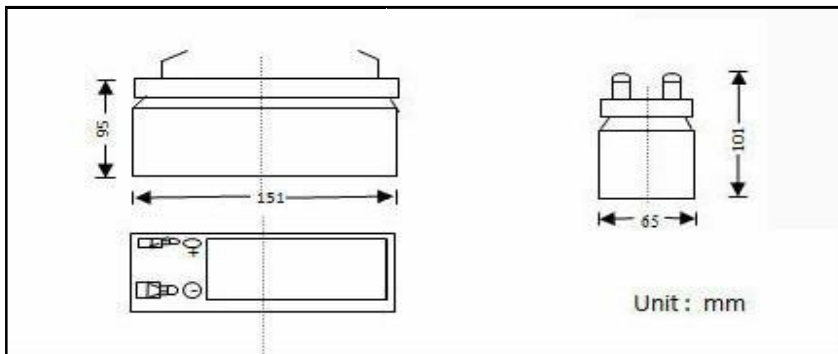
- Sealed and maintenance free operation
- Non-spillable construction design
- Containers and covers made of ABS
- Safety valves installation for explosion proof
- High quality and high reliability
- Exceptional deep discharge recovery performance
- Low self discharged characteristic

Construction

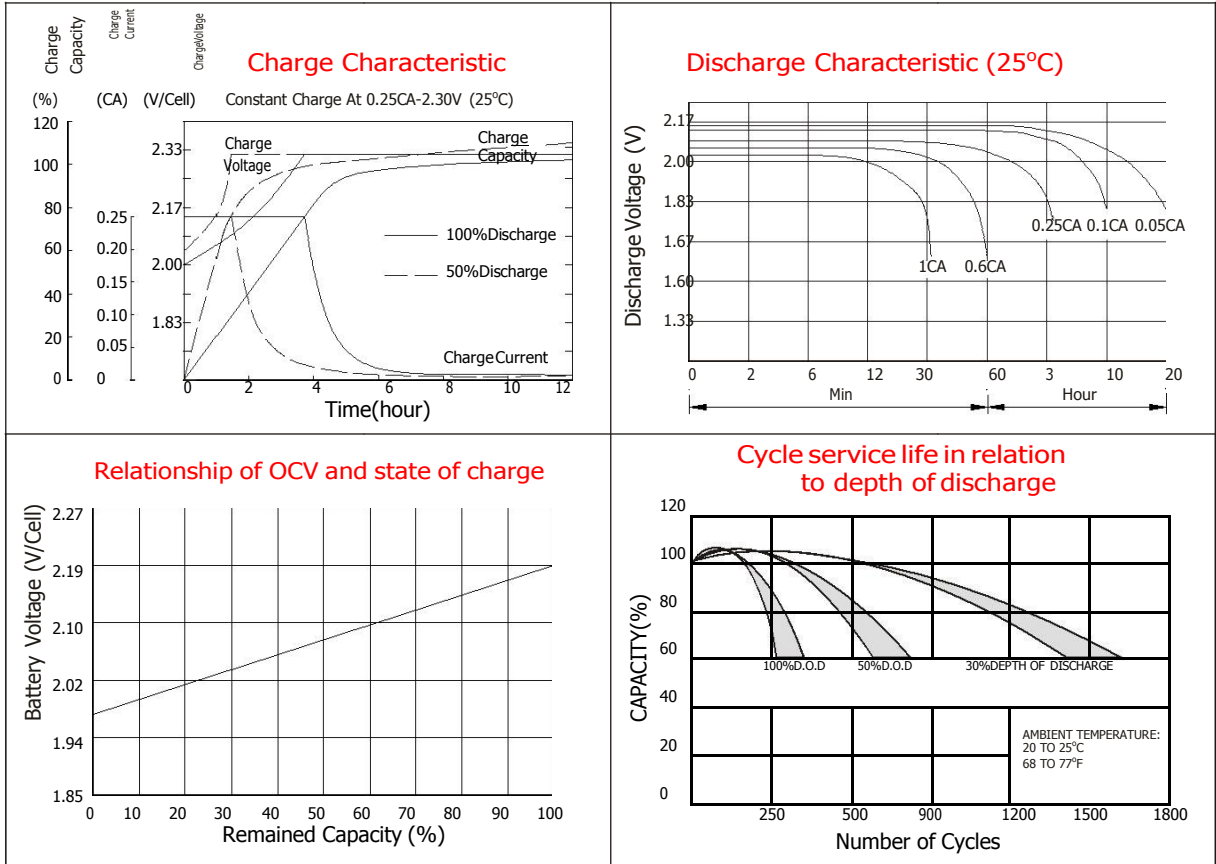
- Positive -----Lead
- Negative ----- Lead
- Container ----- ABS
- Cover ----- ABS
- Sealant ----- Epoxy Resin
- Safety valve --- EPDR
- Terminal ----- Copper
- Separator ----- AGM
- Electrolyte ----- Sulfuric acid



Terminal Dimensions



Battery Model	VI- A127E2			
Designed Cycle Life	> 350 cycles @ -0.5CA to 9.8V			
Capacity(25°C)	20HR(0.36A,1.75V)	10HR(0.648A,1.75V)	5HR(1.524A,1.75V)	1HR(4.32A,1.75V)
	7.2AH	6.48AH	5.7AH	4.32AH
Dimensions	Length	Width	Height	Total Height
	151mm(5.94inch)	65mm(2.56inch)	95mm(3.74inch)	101mm(3.98inch)
Approx. Weight	2.2kg(4.85lbs)			
Internal Resistance	Full charged at 25°C : 20mΩ			
Self Discharge	3% of capacity declined per month at (25°C)			
Capacity Affected by Temp.(20HR)	40°C	25°C	0°C	-15°C
	103%	100%	86%	65%
Cycle Voltage	Cycle use		Float use	
	14.4-15V at 25° C, max. current : 2.16 A		13.5-13.8V at 25° C	



Constant current discharge ratings- Amperes at 25°C

F. V/Time	5MIN	10MIN	15MIN	30MIN	1HR	3HR	5HR	10HR
1. 60VPC	30.48	19.23	14.4	8.57	5.52	2.14	1.41	0.79
1. 65VPC	30.38	19.14	14.29	8.47	5.33	2.12	1.38	0.77
1. 70VPC	30.19	18.95	14.1	8.29	5.14	2.1	1.35	0.76
1. 75VPC	30	18.81	14.04	8.14	4.32	1.58	1.15	0.64
1. 80VPC	29.62	18.43	13.76	7.86	4.09	1.32	1.06	0.58

Constant power discharge ratings- Watts at 25°C

F. V/Time	5MIN	10MIN	15MIN	30MIN	1HR	3HR	5HR	10HR
1. 60VPC	320	202	151	90	57	22.5	14.8	8.3
1. 65VPC	319	201	150	89	56	22.25	14.5	8.1
1. 70VPC	317	199	148	87	54	22.08	14.2	8
1. 75VPC	315	197.5	147.5	85.5	52.5	21.43	14	7.8
1. 80VPC	311	193.5	144.5	82.5	50.5	19.5	13.6	7.5